

# 10m Large Stage - Data Sheet

## STAGE

Dimensions	Width	10.00m	A
	Depth	7.00m	B
	Height - min/max	1.35/1.65m	C
Capacity	UDL - per square metre	500kg	
	UDL - total	35,000kg	

## ROOF

Dimensions	Width - excluding pa fly-wings	10.21m	D
	Width - including pa fly-wings	14.94m	E
	Depth	8.30m	F
	Height - downstage - min/max	6.78/7.09m	G
	Height - upstage - min/max	6.44/6.72m	H
Clearance	Stage to truss - downstage	5.23m	J
	Stage to truss - upstage	4.87m	K
	Stage to roof - downstage	5.50m	L
	Stage to roof - upstage	5.09m	M
Capacity	UDL - per truss	320kg	
	CPL - per truss	160kg	
	UDL - total - excluding pa fly-wings	1,280kg	
	UDL - pa fly-wing - per side	500kg	

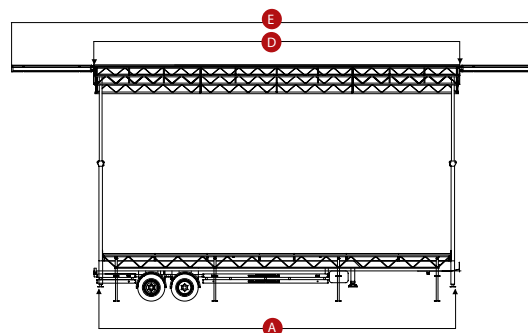


## TRAILER

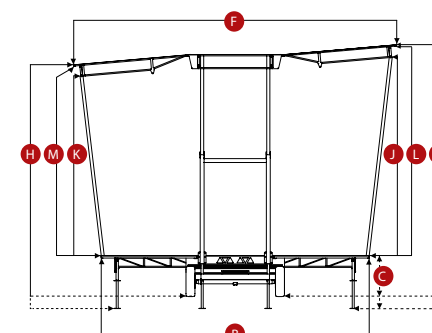
Dimensions	Length - excluding tractor unit	10.60m
	Width	2.50m
	Height	4.2m
Weight	Maximum	9,000kg

## INSTALLATION

Crew	1 Technician 1 Stagehand
Time*	1.5hr
Power requirement	16A 1ph



Side elevation



End elevation